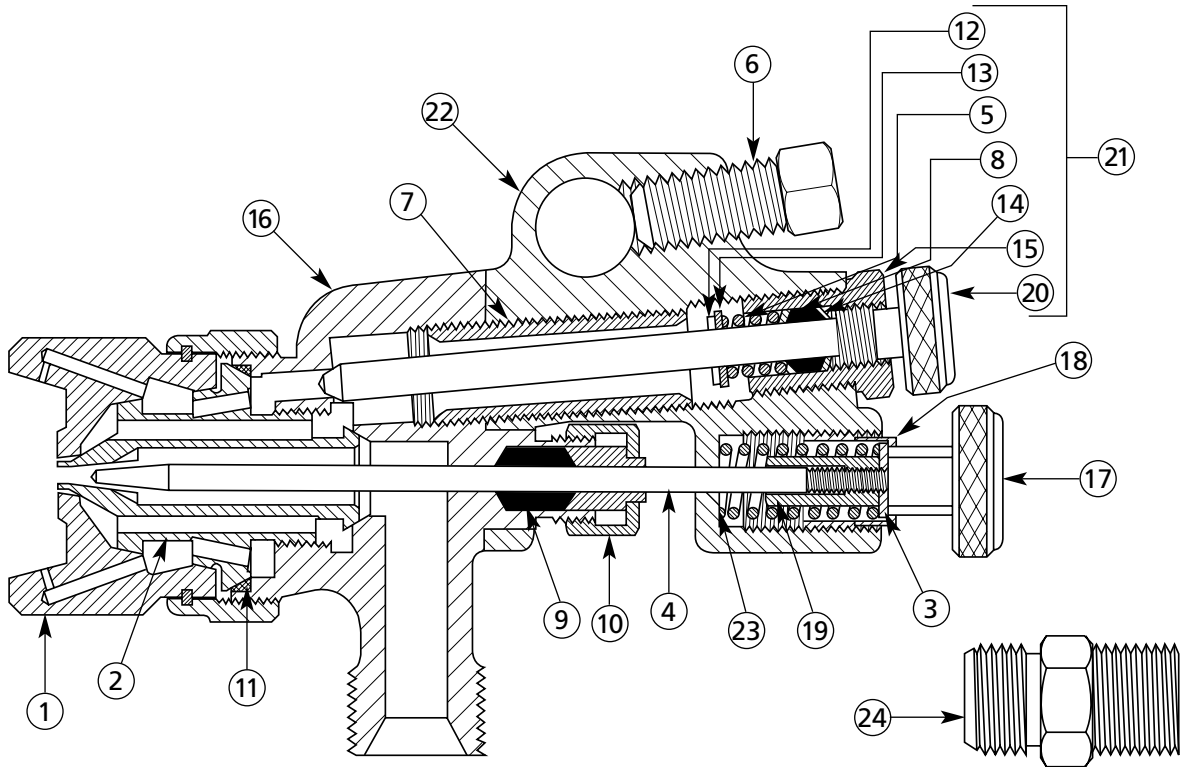


Binks Models 603, 603V CONTINUOUS SPRAY GUNS



PARTS LIST

When ordering, please specify Part No.

ITEM NO.	PART NO.	DESCRIPTION	QTY.	ITEM NO.	PART NO.	DESCRIPTION	QTY.
1	*	AIR NOZZLE	1	14	54-1016	WASHER.....	2
2	*	FLUID NOZZLE	1	15	54-1063	BODY	1
3	20-3870	FLAT WASHER, No. 5 (Stainless Steel)....	1	16	54-1293	HEAD (Stainless Steel).....	1
4	47-23	FLUID NEEDLE VALVE STEM	1	17	54-2012	KNOB	1
5	54-304•	SPRING	1	18	54-2013	SCREW	1
6	54-335	SCREW	1	19	54-2014	NUT	1
7	54-710	SCREW	1	20	54-2016	STEM	1
8	54-738•	PACKING	2	21	54-2017	SIDE PORT ASSEMBLY	1
9	54-764•	PACKING	1	22	54-2018	BODY	1
10	54-765	NUT	1	23	54-2168•	SPRING	1
11	54-918•	GASKET	1	24	57-13	D.M. NIPPLE	1
12	54-1014	PIN	1	25	82-221	BRUSH (Not Shown).....	1
13	54-1015	WASHER.....	1				

* When ordering, please specify number stamped on nozzle.

• Indicates parts included in 6-1303 Repair Kit. Please order separately.

To convert 603 Series to 601 or 604 Series, order 54-2038 Plug and 56-126 Cap.

To convert 603 Series to 602 or 605 Series, order 54-2210 Conversion Kit.

Standard set-ups available. Optional set-ups, please order separately.

603 Gun

6473-2500-7 603 Gun 63ASS-63PB

6473-4307-9 603 Gun 66SS-66SD

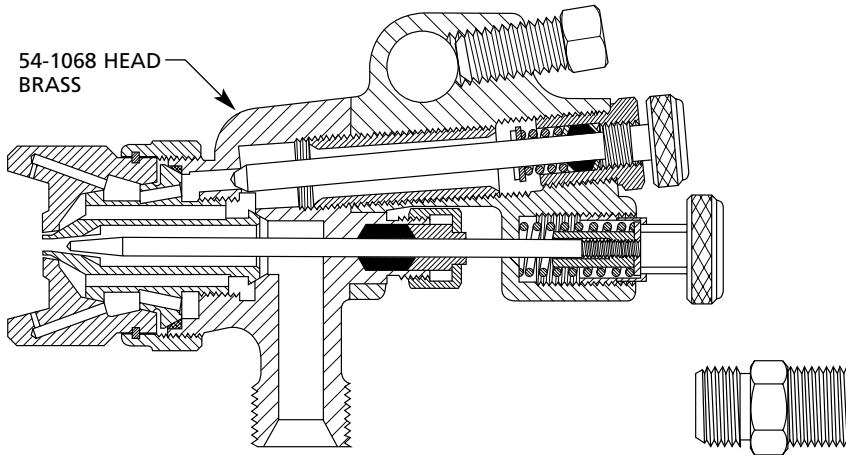
603V Gun

6479-3603-5 603V Gun 64VT-64PA

6479-4909-9 603V Gun 67VT-67PD

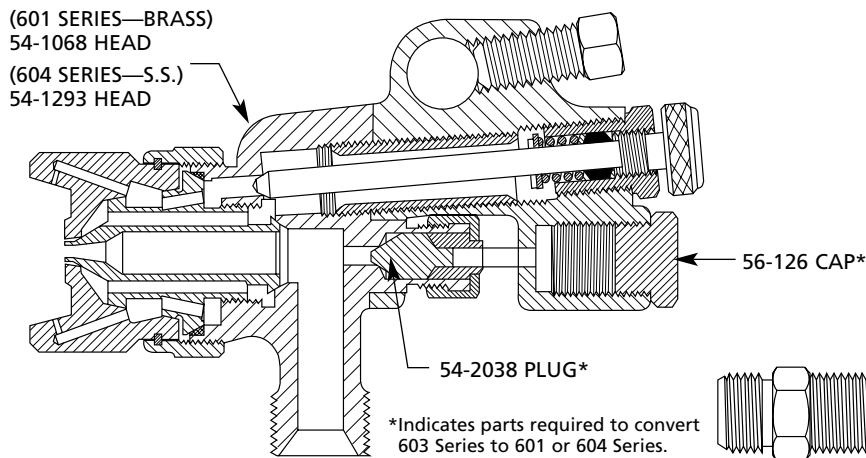
6479-5211-5 603V Gun 68VT-68PB

Binks Model 600 SERIES CONTINUOUS SPRAY GUNS

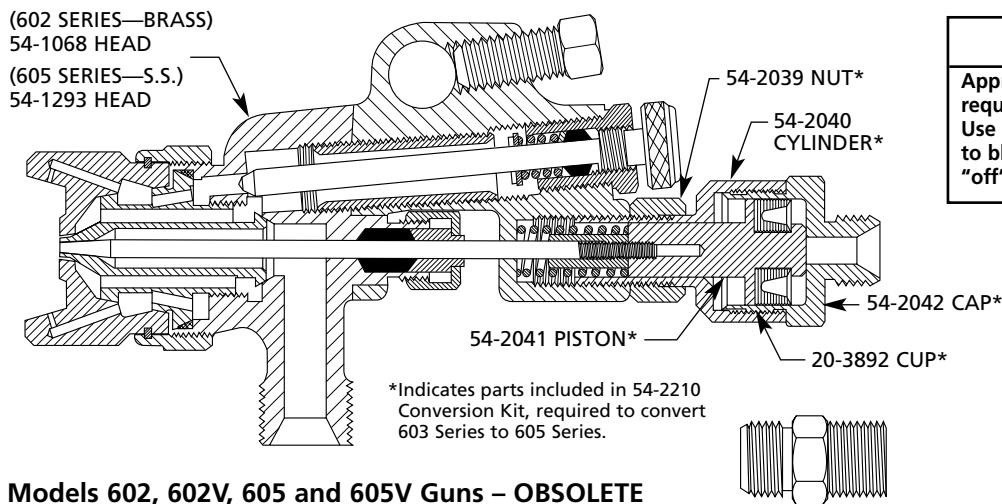


NOTE
 These guns use the same parts as the diagram on page 1. Additional parts needed for each of these individual set-ups are indicated with an (*). (Example: 56-126 CAP*.)

Models 600, 600V, OBSOLETE – REPLACED BY 603 SERIES



Models 601, 601V, 604 and 604V Guns – OBSOLETE



NOTE
 Approximately 25 lbs. air pressure required to actuate the cylinder. Use a 3-way valve for operation to bleed air from cylinder for "off" position.

Models 602, 602V, 605 and 605V Guns – OBSOLETE

Sales and Service Through a Nationwide Network of Industrial Distributors.

Customer Service in USA / 1-800-992-4657
Technical Support in USA / 1-888-992-4657